

PATENT

RETINA LENS

# CAR-CS550 Series

## 25mm RETINA lens

### ADVANCED FEATURES

- 165 FT IR distance
- 25mm RETINA LENS with auto focal, near far view without any mechanic adjustment PATENT
- 12pcs High-Light LED + adaptable condensing lens PATENT
- LED metal board for heat dissipating PATENT
- Low power consumption (460mA with IR on)
- IP66 Water proof
- Silver-color bracket includes



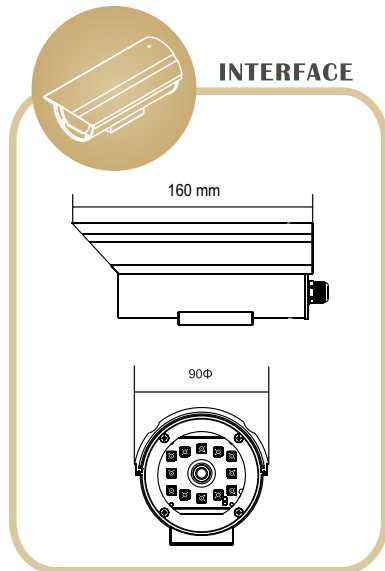
AN optical lens which captures near and far view simultaneously.

- Day view distance: 16-330 FT
- Night view IR distance: 16-165 FT
- 25mm RETINA LENS
- Auto focal, near/far view without any mechanic adjustment



### SPECIFICATIONS

Model	CAR-CS550	CAR-CS550HQ
Horizontal Resolution	420 TV Lines	520 TV Lines
Image Device	1/3" SONY	
Effective Pixels	N:537(H)x505(V) P:537(H)x597(V)	N:811(H)x508(V) P:795(H)x596(V)
Sensitivity	0.05 Lux, IR / 0 Lux	0.06 Lux, IR / 0 Lux
Scanning System	NTSC:525 lines 2:1 interlace, PAL:625 lines 2:1 interlace	
Scanning Frequency	NTSC:15,734Hz(H) 60Hz(V), PAL:15,625Hz(H) 50Hz(V)	
Electronic Shutter	NTSC:1/60-100,000 sec, PAL:1/50-100,000 sec.	
Power Supply	12V DC	
Signal to Noise	More than 50dB (AGC off)	
Gain Control	AGC	
White Balance	Auto ATW 2500-9500°K	
BLC	Auto	
Gamma Correction	0.45	
SYNC System	Internal	
Video Output	Composite 1.0 Vp-p at 75ohm	
IR LED	HIGH-LIGHT LED x 12 pcs + adaptable condensing lens	
IR View Angle	View angle:20~50°, beam spread:30~180°per LED	
IR Wavelength	850nm	
IR distance	165 FT	
IR Status	Under 10 Lux by photo sensor auto control	
LED Life	More than 20,000 hrs	
Protection Class	IP66 water-proof	
Power Consumption	IR on:460mA, IR off:100mA	
Housing Construction	Aluminum with sunshade weatherproof	
Heat Dissipating	Special metal board device	
Operation Condition	Working: -4~122 °F / Storage: -22~158 °F / Humidity:0~95%RH	
Dimensions	90(φ) x 160 (L)mm	
Weight	3.3 lbs with Bracket	



CE FC EMC