

# CAR-RS300 Series

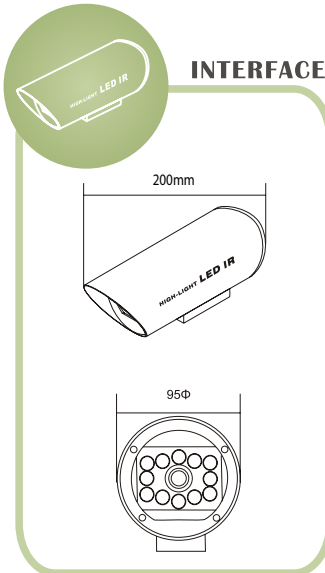
## Board-lens camera

### ADVANCED FEATURES

- 100 FT IR distance
- 8 pcs High-Light LED (PATENT)
- 6 mm fixed lens
- LED metal board for heat dissipating (PATENT)
- Low power consumption (460mA with IR on)
- IP66 Water proof
- Silver-color bracket includes



*Unique back cover design  
for water resistance*



### SPECIFICATIONS

Model	CAR-RS300	CAR-RS300HQ
Horizontal Resolution	420 TV lines	520 TV lines
Image Device	1/3" SONY	1/3" SONY
Effective Pixels	N:537(H)x505(V) N:537(H)x597(V)	N:811(H)x508(V) N:795(H)x596(V)
Sensitivity	0.05 Lux, IR/0 Lux	0.06 Lux, IR/0 Lux
Scanning System	NTSC:525 lines 2:1 interlace, PAL:625 lines 2:1 interlace	
Scanning Frequency	NTSC:15,734Hz(H) 60Hz(V), PAL:15,625Hz(H) 50Hz(V)	
Electronic Shutter	NTSC:1/60-100,000 sec, PAL:1/50-100,000 sec.	
Power Supply	12V DC	
Signal to Noise	More than 50dB (AGC off)	
Gain Control	AGC	
White Balance	Auto ATW 2500-9500°K	
BLC	Auto	
Gamma Correction	0.45	
SYNC System	Internal	
Video Output	Composite 1.0 Vp-p at 75ohm	
IR LED	HIGH-LIGHT® LED x 8 pcs	
IR View Angle	View angle:80°, beam spread:30°/per LED	
IR Wavelength	850nm	
IR distance	100 FT	
IR Status	Under 10 Lux by photo sensor auto control	
LED Life	More than 20,000 hrs	
Protection Class	IP66 water-proof	
Power Consumption	IR on:460mA, IR off:100mA	
Housing Construction	Aluminum with sunshade weatherproof	
Heat Dissipating	Special metal board device	
Operation Condition	Working:-4~122 ° F / Storage:-22~158 ° F / Humidity:0~95%RH	
Dimensions	95(φ) x 200 (L)mm	
Weight	3.3 lbs with Bracket	

